



WA UNIT

DESIGN

FH SCANDINOX water attemperation unit has been designed to heat up and control the temperature of hot water in small applications with stand-alone equipment that requires a local heating of a water jacket.

The temperature range is between 15 and 65°C, all depending on the application. E.g. resting tubes, pin mixers and plasticators. The unit is a plug and play compact unit, with a small stainless steel vat for very easy installation close to the equipment to be locally heated.

The WA unit is made of stainless steel AISI 316L.

BASIC EQUIPMENT

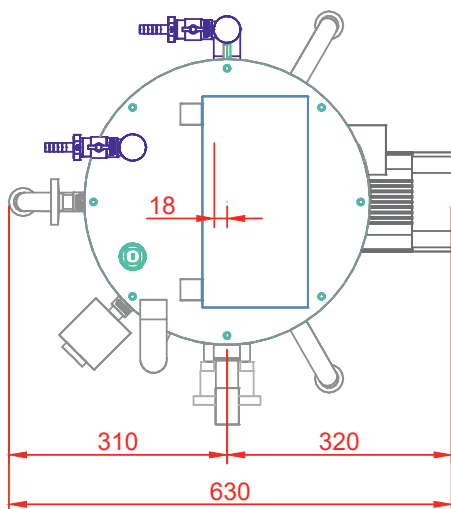
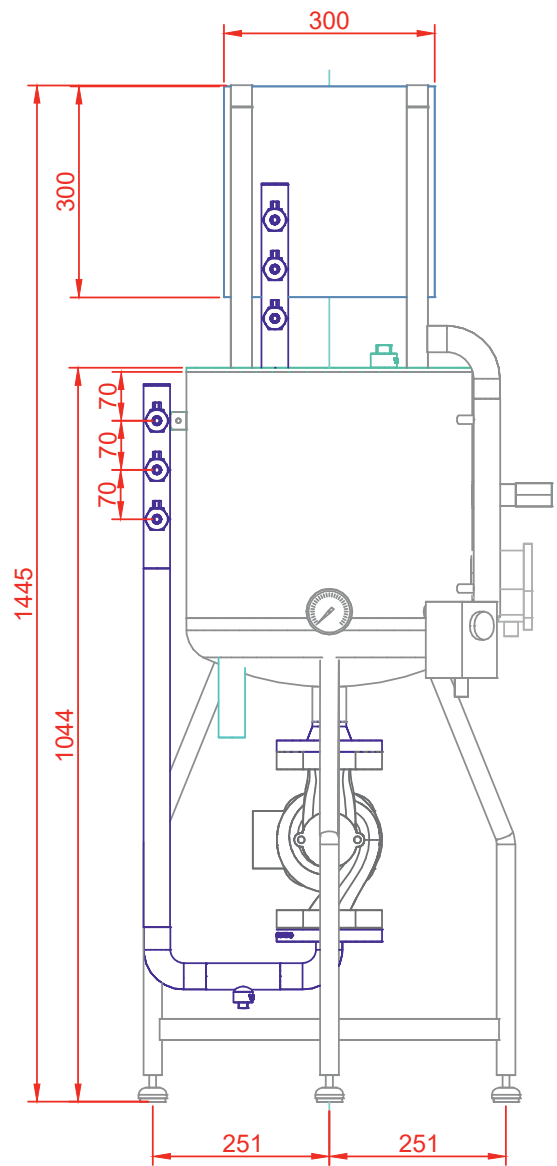
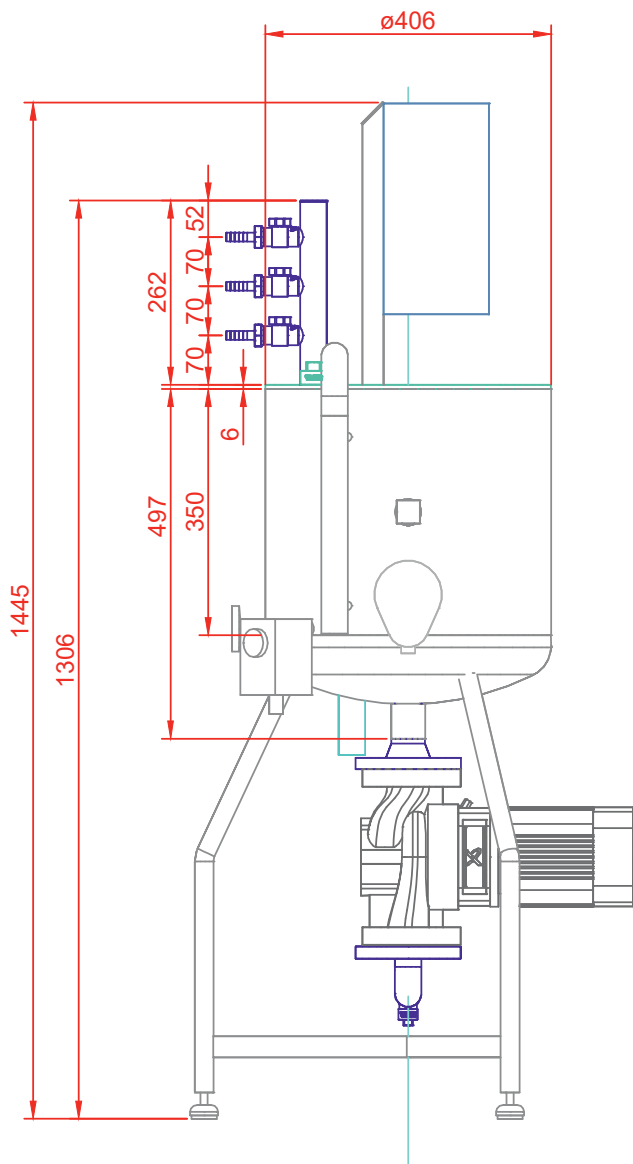
- Stainless steel vat
- Heating element
- Circulation pump
- Stop valve
- Water inlet and outlet connections
- Water filling stud
- Thermostat
- Thermometer
- Water overflow
- Drain
- Control box

VOLUME

- Model WA 25 l.
- Model WA 45 l. (standard)
- Model WA 60 l.

APPLICATION

- Margarine industry



PRINCIPAL DRAWING: 45 I. WA UNIT